



Powerscreen International. Dist. Ltd.  
Coalisland Road, Dungannon,  
Co.Tyrone, N.Ireland BT71 4DR  
Tel: +44(0) 2887 740701  
Fax: +44(0) 2887 746569  
Email: [mail@powerscreen.com](mailto:mail@powerscreen.com)

# *INTRODUCING THE* **WARRIOR 1800** **JACK UP SCREENBOX**



All specifications subject to change without prior notice.

## FEATURES

- Total weight (Belt Feeder) 30,000 kg (33.07 US Ton) ESTIMATED
- Width (transport) 2.90 m (9'6")
- Length (transport) 15.52 m (50'-11")
- Height (transport) 3.4 m (11'2")
- Hopper capacity 6.78 m<sup>3</sup> (8.87 cu. yds.)
- Screenunit 2-bearing 4.88m x 1.5m (16'x5')
- Powerunit Diesel Hydraulic.

## ADVANTAGES

- High capacity, up to 500 TPH, (depending on mesh sizes and material type).
- Quick set up time typically under 15 minutes.
- Maximum mobility with heavy duty, low ground pressure crawler tracks.
- Removable heavy duty pendant remote control system.
- Optional radio control system available if required.
- High performance hydraulic system – Quality pumps and motors with commercial hydraulic control valves.
- Access walkway for screenbox.
- Hydraulically folding hopper sides.
- Heavy duty 2-bearing screenbox 10mm stroke standard, optional 12mm stroke if required.
- Hopper exit opening 1.2m wide enabling screening of large items i.e. tree stumps, logs, boulders, etc.
- Screenbox lifts hydraulically for access to bottom deck mesh and collection conveyor

## APPLICATIONS

- Sand and gravel
- Topsoil
- Coal
- Crushed stone
- Recycling
- Compost

# Technical Specification



WARRIOR 1800 24-01-2007

Page 3

## **Hopper:**

Target area: 4.4m long x 2.7m wide.  
Hopper capacity: 6.78 m<sup>3</sup> (8.87 yrd<sup>3</sup>)  
Feed in height: 3.20m (rear hopper door lowered)  
Hardox side plates.  
Lowering section to rear to reduce feed in height for smaller crushers.

## **Screenunit:**

16' x 5' (4.88 x 1.5m) double deck 2-bearing.  
14 to 18 degrees screen angle adjustable.  
Self-adjusting motor stand.  
12mm stroke @ 860 ±10 RPM  
10mm stroke @ 920 ±10 RPM

## **Feed Conveyor:**

1300mm (51") wide 4-ply plain belt. Direct feed conveyor fitted with twin direct drive system & hydraulic variable speed control.  
Impact bars and 5 off 'extra heavy' duty impact rollers fitted beneath belt.  
3.43m (11'-3") drum centres.  
Optional hardox apron feeder.

## **Collection Conveyor below screenbox:**

1200mm (48") wide 3ply plain belt.  
3.97m (11'-9") drum centres.

## **Fines Conveyor:**

900mm (36") wide 3-ply plain belt.  
Hydraulically folding.  
14 to 25 degrees angle adjustable.  
3.70m (12' - 2") stockpile height. (Measured to drum crown).  
75.3 m<sup>3</sup> (98.5 yrd<sup>3</sup>) Stockpile capacity.  
Impact bars under feed boot.

## **Mid-Oversize Conveyor:**

900mm (36") wide 3-ply plain belt.  
Hydraulically folding.  
14 to 25 degrees angle adjustable.  
3.44m (11'-3") stockpile height. (Measured to drum crown).  
60.5 m<sup>3</sup> (79.2 yrd<sup>3</sup>) Stockpile capacity.  
Impact bars under feed boot.  
Variable speed control.

# Technical Specification



WARRIOR 1800 24-01-2007

Page 4

## **Oversize Conveyor:**

1400mm (55") wide 4-ply chevron belt.  
Variable speed control.  
Impact bar/ roller combination.  
Conveyor slide up system for access to bottom deck meshes.  
10 to 24 degrees angle adjustable.  
3.73 m (12'-3") stockpile height. (Measured to drum crown).  
77.2 m<sup>3</sup> (101.0 yrd<sup>3</sup>) Stockpile capacity

## **Powerunit & Hydraulics:**

Diesel engine:	82 kW (109 Hp), developing 74 kW (99Hp) at 2200 rpm.
Flywheel pump:	5046/5033/5033
PTO pump:	5023/5023 (23cc/rev each circuit)
Belt Feeder Motors:	OMSS125 (125cc/rev)
Apron Feeder Motor:	OMTS400 (400cc/rev)
Collection Conveyor Motor:	OMH500 (500cc/rev) – Optional OMTS 500
Fines Conveyor Motor:	OMH500 (500cc/rev) – Optional OMTS 500
Oversize Conveyor Motor:	OMV800 (800cc/rev)
Mid-Oversize Motor:	OMH500 (500cc/rev) – Optional OMTS 500
Screen Motor:	MCC 2208 (58.7cc/rev)

## **Tank Capacities:**

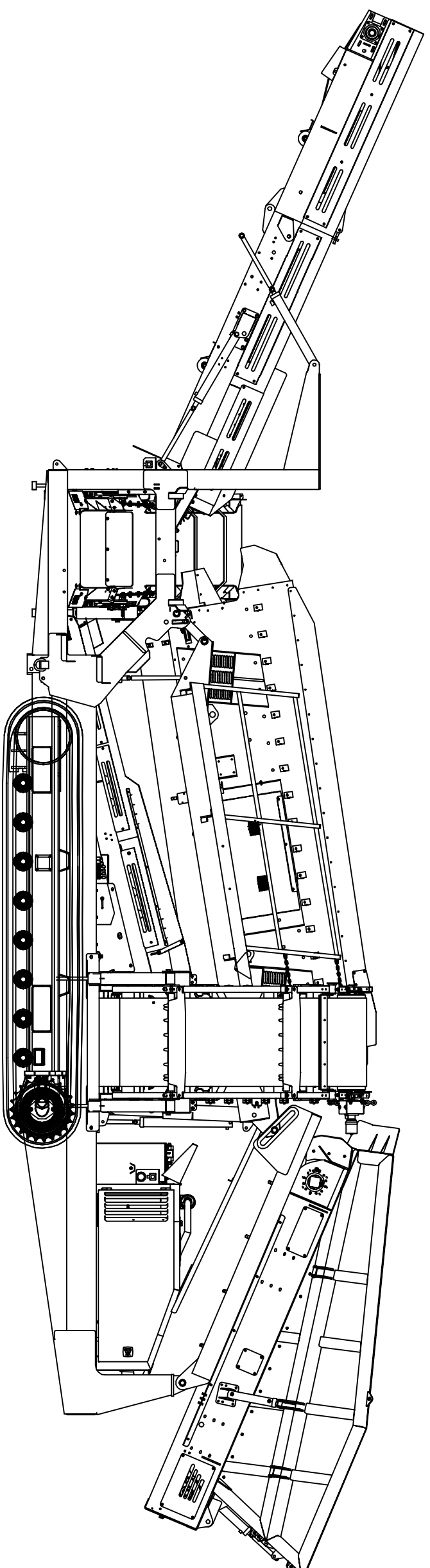
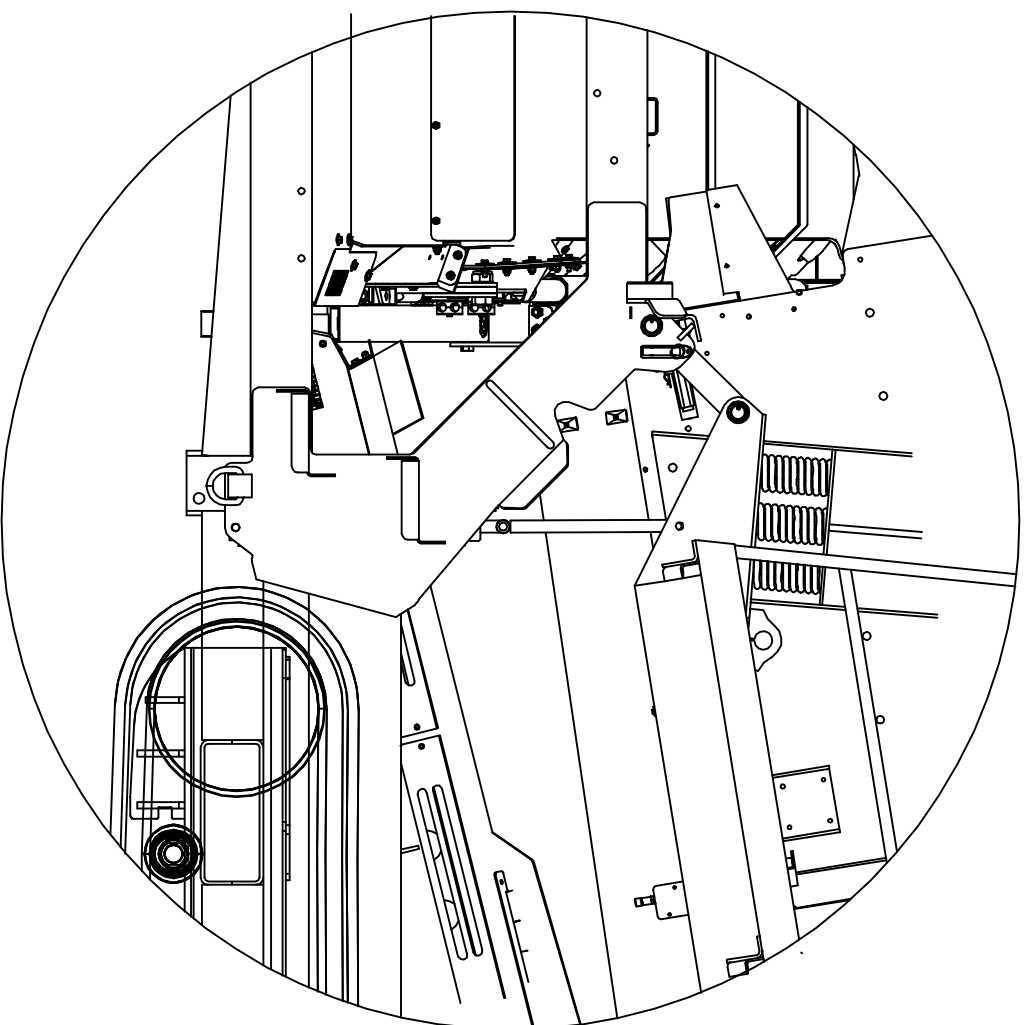
Hydraulic tank:	564 L (124 Gal)
Diesel tank:	336 L (74 Gal)

## **Crawler Track Data:**

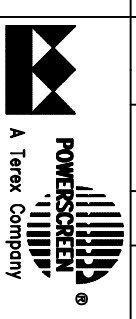
Gradability Percentage	=	50.5 % (22.73 degrees)
Gearbox	=	Transmittal 709
Gearbox Ratio	=	1:142
Hydraulic Motor	=	Rexroth 90 cc/rev
Approximate Speed	=	0.80 Km/hr

## **Options:**

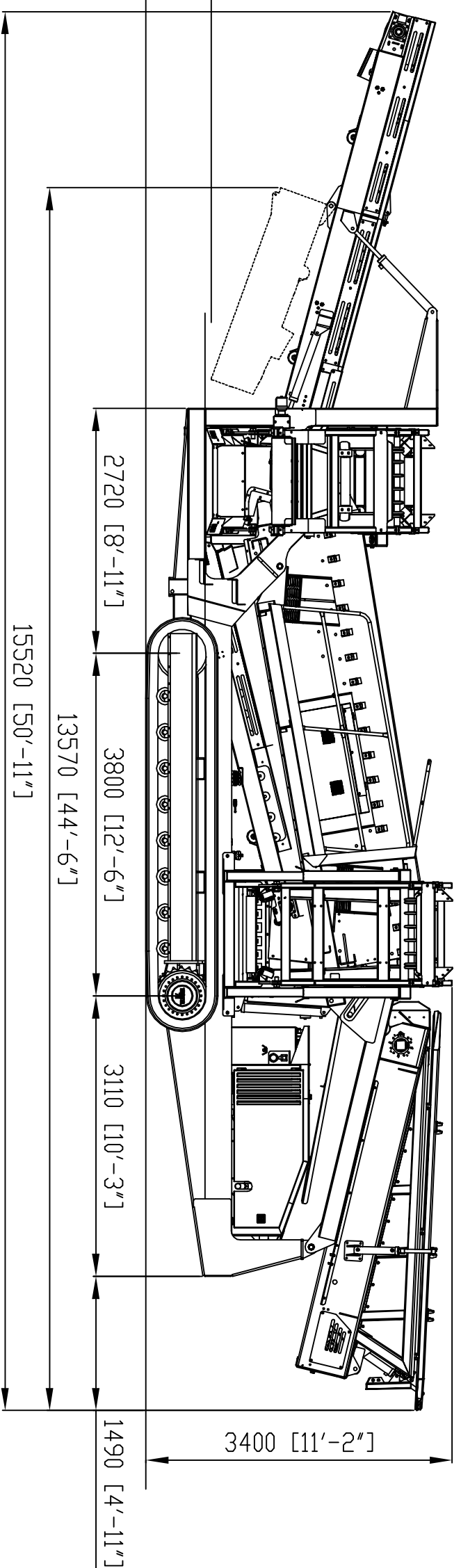
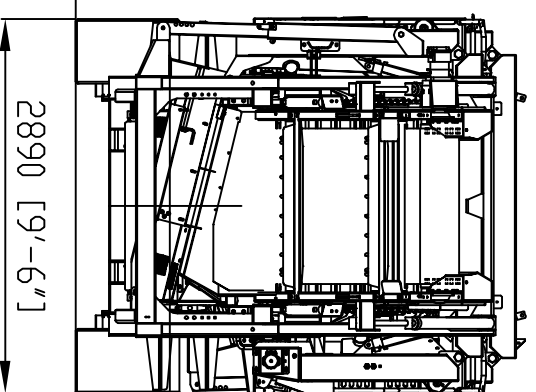
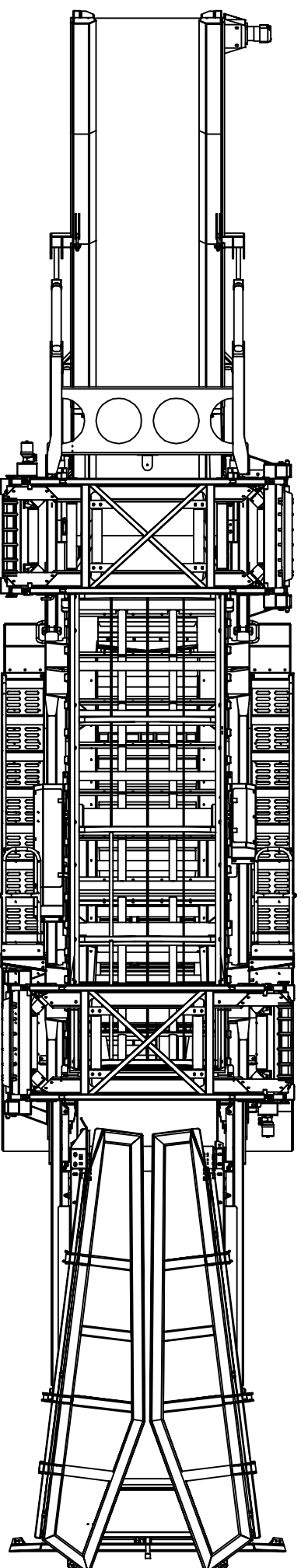
Heavy duty Hardox Apron feeder instead of belt feeder.  
Hardox or mild steel punch plate screens.  
Finger screens on top or bottom decks.  
'Z' meshes complete with ball deck and SCS (Self Cleaning Screen).  
4" Bofor bar deck.  
Oversize conveyor can be dropped down allowing oversize and mid-oversize product to be combined



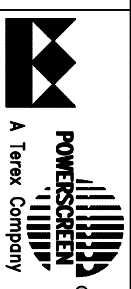
SCALE	DRAWN	DATE	CHECKED	DATE	ISSUE	DATE	BY	REVISION
1:1	DJD	10/04/2006						
DRAWING No.		DRAWING TITLE						
121 SALES		WARRIDER 1800 WITH JACK-UP SCREENBOX						



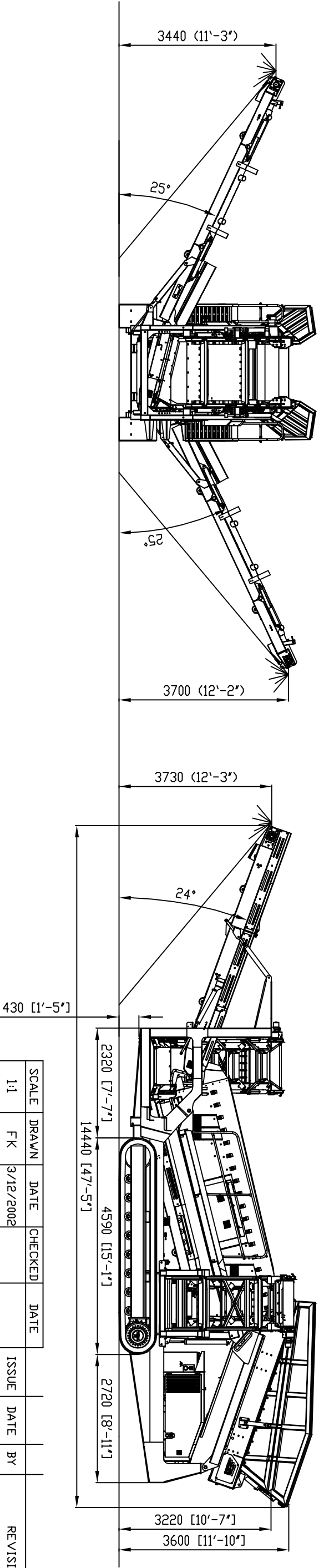
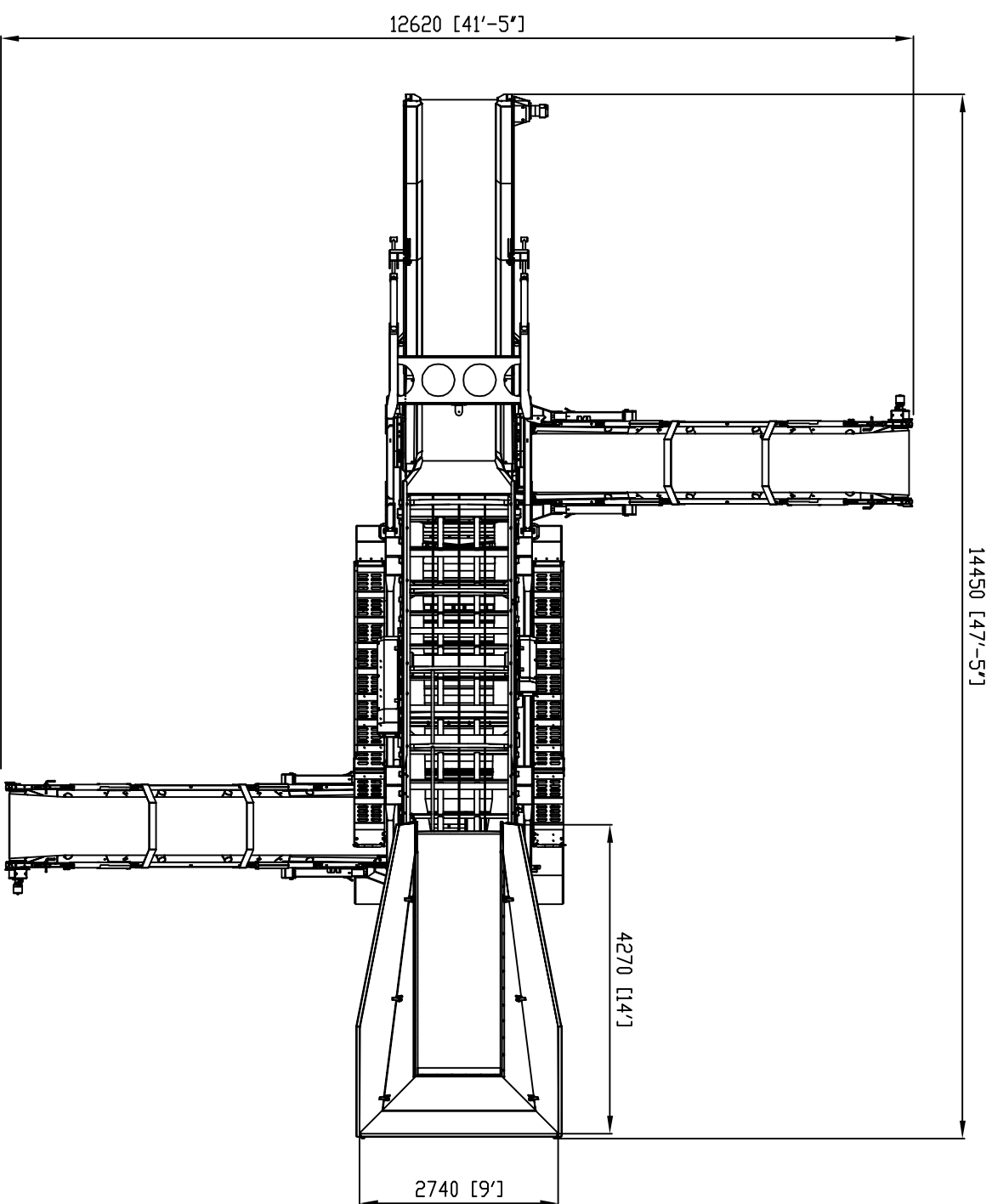
207 COAL ISLAND RD  
 DUNGANNON N. IRELAND  
 TEL 086872 49701  
 FAX 086872 497231  
 EMAIL info@powerscreen.co.uk



SCALE	DRAWN	DATE	CHECKED	DATE	ISSUE	DATE	BY	REVISION
1:1	FK	3/12/2002						
DRAWING NO.		DRAWING TITLE						
121 SALES		WARRIDR 1800						



207 COAL ISLAND RD  
 DUNGANNON N. IRELAND  
 TEL 086872 40701  
 FAX 086872 47231  
 EMAIL: info@powerscreen.co.uk



SCALE	DRAWN	DATE	CHECKED	DATE	ISSUE	DATE	BY	REVISION
1:1	FK	3/12/2002						
DRAWING NO.		DRAWING TITLE						
121 SALES		WARRIOR 1800						


**POWERSCREEN**  
 A Terex Company  
 207 COAL ISLAND RD  
 DUNNANON N. IRELAND  
 TEL: 088672 49701  
 FAX: 088672 49731  
 EMAIL: info@powerscreen.co.uk

# *Technical Specification*



All specifications subject to change without prior notice.