

# ANACONDA®

## CRUSH | SCREEN | STACK

### DF512 TRACKED SCREEN



#### THE ANACONDA RANGE OF MOBILE SCALPERS HAS BEEN DESIGNED TO SUIT A VARIETY OF APPLICATIONS.

The DF512 scalping screen is a versatile, robust and highly productive unit designed to handle a wide variety of applications. Fitted with either a belt feeder or the option of an steel apron feeder, the DF512 is user friendly and easy to transport on and off site.

The DF512 scalper can offer two or three way separation of material.

#### FEATURES & BENEFITS

STAGE 3A - CAT 4.4 WATER COOLED ENGINE 75KW (100HP) - ROW  
 STAGE 3B - CAT 4.4 WATER COOLED ENGINE 75KW (100HP) - EU  
 HIGH PERFORMANCE TWO BEARING 12' X 5' (3.66M X 1.52M) SCREENBOX  
 HYDRAULIC FOLDING HOPPER SIDES AS STANDARD  
 VARIABLE SPEED 4 PLY BELT FEEDER WITH IMPACT BED  
 VARIABLE SPEED ON ALL DISCHARGE CONVEYORS  
 WIRE MESH, PUNCH PLATE, GRIZZLY BOFOR BAR OR FINGER SCREEN  
 HYDRAULIC RAISE SCREENBOX TO FACILITATE MESH CHANGE  
 SCREEN ANGLE ADJUSTABLE BETWEEN 17-21°  
 SCREENBOX WALKWAYS

#### OPTIONS

STAGE 3A - JCB 444 DIESELMAX 85 KW (115 HP) - ROW  
 STAGE 3B - JCB 444 ECOMAX - 93KW (125 HP) - EU  
 SCREEN DECKS – MESH, BOFOR BAR, FINGER SCREENS OR PUNCH PLATE  
 RADIO REMOTE CONTROL

#### WEIGHT

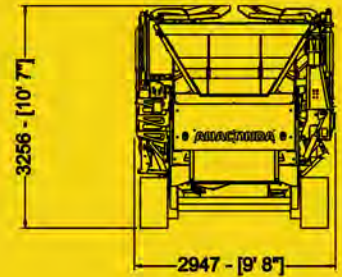
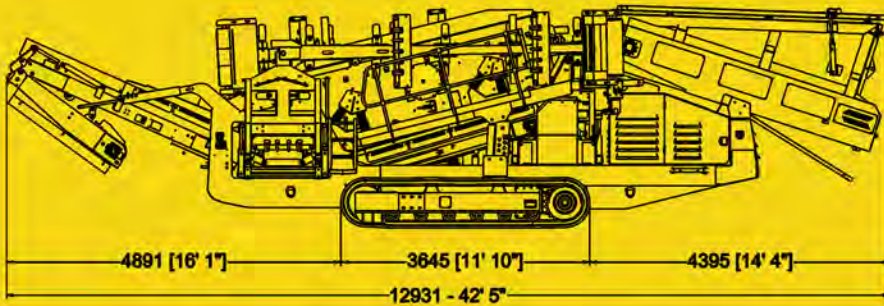
APRON FEEDER : 56,217 LBS / 25,500 KG  
 BELT FEEDER : 50,706 LBS / 23,000 KG

# ANACONDA®

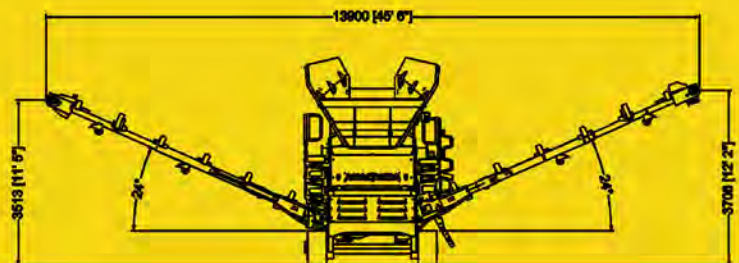
CRUSH | SCREEN | STACK

## DF512 TRACKED SCREEN

### TRANSPORT



### WORKING



THE DF512 IS A MEDIUM SIZED MOBILE SCREENER SUITABLE FOR TONNAGES UP TO 350TPH. ANACONDA'S PROMISE OF QUALITY PRODUCTS IS ONCE AGAIN DEMONSTRATED IN THIS PRODUCT WHICH IS SUITABLE IN MANY APPLICATIONS INCLUDING SCALPING QUARRY ROCK, CRUSHER RUN, CONSTRUCTION & DEMOLITION (C&D) WASTE, COAL, TOPSOIL, AND COMPOST.

**ANACONDA SELLS AND DISTRIBUTES THE FULL RANGE OF EQUIPMENT THROUGH A LOCAL DEALER NETWORK.**

**FOR YOU NEAREST DEALER PLEASE CONTACT US OR VISIT OUR WEBSITE.**

**ANACONDA®**  
CRUSH | SCREEN | STACK



**Head Office**  
Anaconda Equipment International,  
Ardboe Business Park, Kilmascally Road  
Dungannon, Co. Tyrone, BT71 5BJ

Tel: +44 (0) 28 867 37878  
Email: [sales@anacondaequipment.com](mailto:sales@anacondaequipment.com)  
Web: [www.anacondaequipment.com](http://www.anacondaequipment.com)

DEALER STAMP HERE

CURRENT MODELS MAY DIFFER FROM THOSE FEATURED IN THIS BROCHURE. ANACONDA RESERVES THE RIGHT TO MAKE CHANGES TO THE PRODUCT DESIGN WITHOUT RESERVATION AND WITHOUT NOTIFICATION.

**ANACONDA TRACKED SCALPING SCREEN**